

Limit Switch Boxes YT-870 / YT-875

Design features

- **Visual position indicator.** 360° viewing angle.
- **Multiple Output signals.** 8 contacts of terminal ports.
- **Universal Compatibility.** Suitable for any rotary motion actuator <ISO5211>.
- **Easy configuration.** Simple adjustment of cam position.
- **Dual conduit entries.** Separate connections for power and signal cables.

Item Type		YT-870M YT-875M		YT-870P YT-875P		YT-870D YT-875D	
Switch Type		Mechanical Switch (2 x SPDT)		Inductive Proximity Sensor		Mechanical Switch (2 x DPDT)	
		SS5GL (Omron)	SS10GL (Omron)	PS17-5DNU (Autonics)	NJ2-V3-N (P&F)	DZ-10G-1B (Omron)	
Switch Rating	AC	250 V 5 A	250 V 10.1 A	-	-	125 or 250 V AC 10A	
	DC	250 V 0.2 A, 125 V 0.4 A, 30 V 4 A, 14 V 5 A, 8 V 5 A		12 - 24 V DC	8.2 V DC	125 V DC 0.5 A 250 V DC 0.25 A	
Ingress Protection		IP67					
Explosion Protection Type		ATEX, IECEx Ex db IIC T6, Ex tb IIIC T85°C CSA Ex db IIC T6 Class I, Zone 1, AEx db IIC T6 Class II, Division 1, Groups E, F and G, Ex tb IIIC T85°C Zone21, AEx tb IIIC T85°C KCs Ex d IIC T6					
Operating Temp.		-20 - 60 °C					
Conduit Entry		NPT3/4 (G3/4, M20, NPT1/2)					
Terminal		8 Points					
Mounting Bracket		NAMUR VDI / VDE 3845, ISO 5211					
Material and Weight	YT-870	Aluminium Diecasting: 1.5 kg (3.3 lb)					
	YT-875	Stainless Steel 316: 3.5 kg (7.7 lb)					



YT-870

YT-875



Product Code

YT-870 - M - 1 - 0 - 0

Model

YT-870 = Flameproof Aluminium
YT-875 = Flameproof Stainless Steel

Switching Type

M = Mechanical Type (2 x SPDT)
P = Proximity Type
D = Mechanical Type (2 x DPDT)

Conduit

1 = NPT 3/4
2 = PF 3/4 (YT-870 only)
3 = M20 (YT-870 only)
4 = NPT 1/2 (YT-870 only)

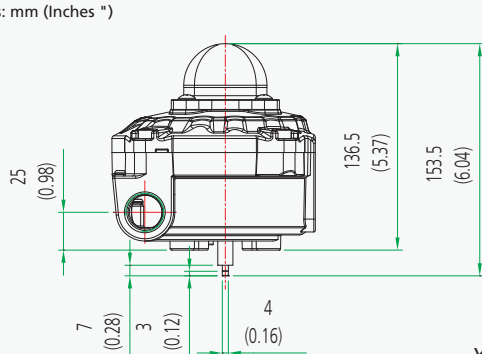
Bracket Type

0 = None
1 = ST-1 (30*80,H20)
2 = ST-2 (30*80,H30)
3 = ST-3 (30*130,H30)
4 = ST-4 (30*130,H50)

Option

0 = None
1 = SPTM

Dimensions: mm (Inches ")



YT-870 / YT875

